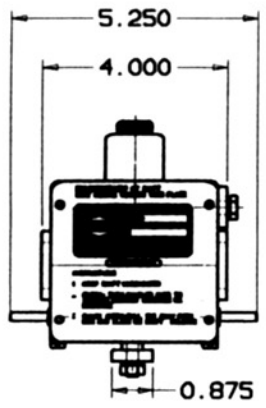


45	8115	HEAVY DUTY SPRING DISCS	5
44	8094	BUSHING	1
43	8090	SPRING	1
42	8086	STRIKE SHAFT	1
41	8060	BRACKET	1
40	8074	KNOB	2
39	8036	STOP BRACKET	2
38	8058	SHAFT SW-4	1
	8055	SHAFT SW-3	
	8052	SHAFT SW-2	
37	8047	RETAINING RING	2
36	8114	BUSHING	2
35	8054	FRAME SW-4	1
	8053	FRAME SW-3	
	8050	FRAME SW-2	
	8011	FRAME SW-1	
34	8122	FLAT HEAD SCREW	1
33	8121	GROOVED AN	1
32	8117	KNOB ADJUST	1
31	8123	SPRING WASHER	1
30	8116	SCREEN PITCH ADJUST	1
29	8119	COVER PITCH ADJUST	1
28	8118	STOP PITCH ADJUST	1
27	8124	DOWEL AN	1
26	8102	SCREW	1
25	8087	LEVER SPR. RELEASE	1
24	8089	CAM SPR. RELEASE	1
23	8020	BEARING	1
22	8034	SPRING DISCS	6
21	8079	BEARING PLATE	1
20	8059	SCREW	2
19	8098	LOCK WASHER	4
18	8092	BEARING	2
17	8084	SELF LOCKING NUT	2
16	8081	SWIVEL PUSHER	1
15	8037	BUSHING	2
14	8093	RETAINING RING	2
13	8091	SPRING	2
12	8095	SCREEN	10
11	8096	LOCK WASHER	6
10	8097	WASHER	4
9	8082	ROLLER STUD	1
8	8025	CAM LINK	1
7	8083	PLUNGER	1
6	8023	ROLLER	1
5	8080	SWIVEL ROLLER	1
4	8039	RETAINING RING	2
3	8014	BUSHING	2
2	8018	COVER	1
1	8120	BODY TRAVERSE	1
FIND NO.	PART NO.	DESCRIPTION	QTY.

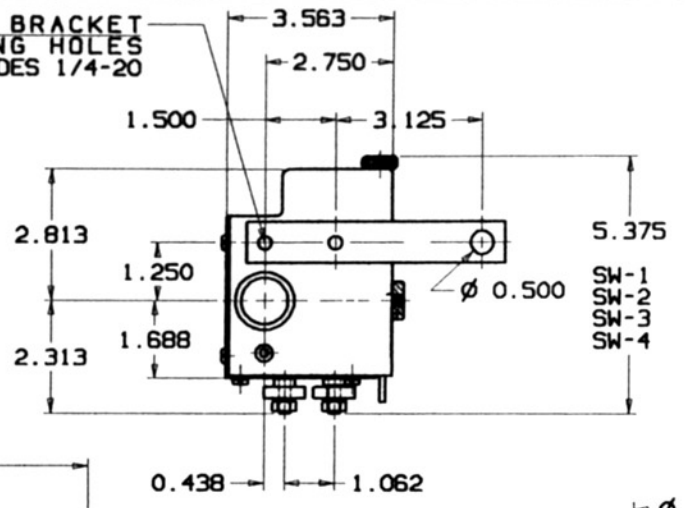
SEE ALT. ITEM # 45

48	8127	NUT	2
47	8126	SCREW SET SCREW	2
46	8125	WASHER	2
FIND NO.	PART NO.	DESCRIPTION	QTY.

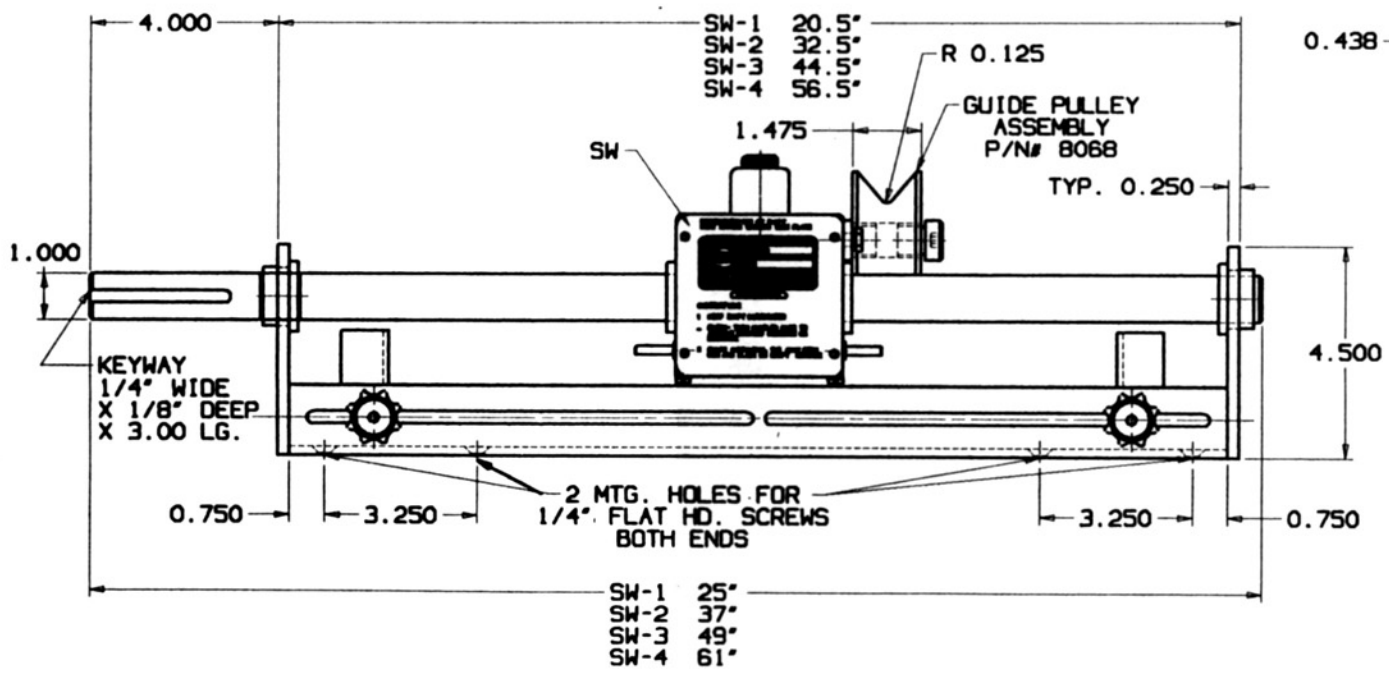
TOLERANCES (EXCEPT AS NOTED)		G SERIES	
DECIMAL	USED ON	SCALE	DRAWN BY <i>P. J. S. P. 88</i>
±			APPROVED BY
FRACTIONAL	TITLE	LINEAR ACTUATOR	
±		HORIZONTAL TRAVERSE	
ANGULAR	DATE	DRAWING NUMBER	
±	3-10-83	163128 SW-2	163130 SW-4
		163127 SW-1	163129 SW-3



GUIDE BRACKET  
MOUNTING HOLES  
BOTH SIDES 1/4-20



SW-1  
SW-2  
SW-3  
SW-4



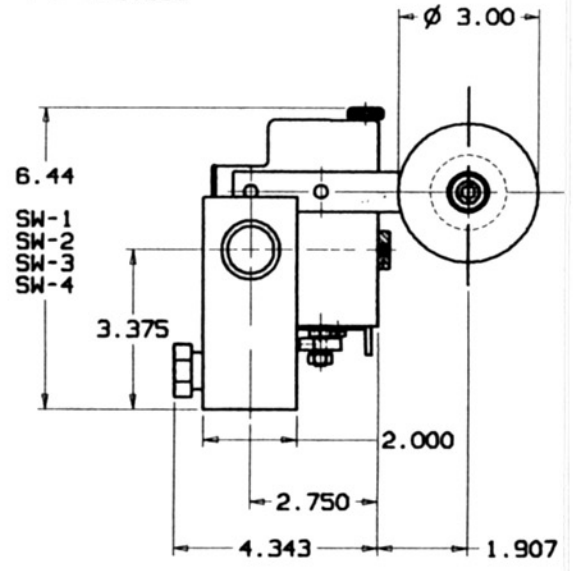
SW-1 20.5°  
SW-2 32.5°  
SW-3 44.5°  
SW-4 56.5°

R 0.125

GUIDE PULLEY  
ASSEMBLY  
P/N# 8068  
TYP. 0.250

KEYWAY  
1/4" WIDE  
X 1/8" DEEP  
X 3.00 LG.

SW-1 25°  
SW-2 37°  
SW-3 49°  
SW-4 61°



SW-1  
SW-2  
SW-3  
SW-4